

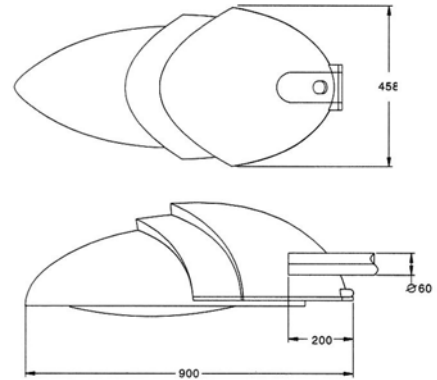
LMRW - 6

Street Light / Area light - IP 66

An extensive designed range of premium street lantern offering efficient lighting for safe and comfortable driving. Lumitron's LMRW-6, is designed to accept wide range of discharge lamps. Thanks to its unique shape and form. It provides elegant appearance, aesthetically suitable for prestigious projects. Ideal for major traffic roads, residential streets, arenas, modern architectural environments. Recommended mounting height of 5000-12000 mm.

Specifications

- Housing: corrosion resistant, die cast aluminium alloy.
- Reflector: hydro-form anodized aluminium reflector.
- Diffuser: heat resistant, toughened safety tempered glass lens.
- Durable silicone rubber gasket.
- Finish: polyester powder coated for superior corrosion resistance in black, grey, or white. Other color available on request.
- Lampholder: porcelain E40, 5 KV pulse rating.
- Control Gear: Lumitron fixtures are standard with P.F corrected system. Lumitron employs only super-imposed ignitor (where required) to avoid ballast failures during ends of lamp life.
- Protection level IP66 dust-tight and Downpour proof, Class II Electrical
- Standard and Conformities: DIN, VDE, IEC, EN-60598-2.
- Custom design decorative pole. Please contact Lumitron for more information.



Ordering Information

Lumitron Ref.	Lamp Type	Lumens	CCT. (K)	Base	Remark
LMRW-6-250MV	MV 250W	13,000	4,000	E40	Recheck lumen with lamp catalog.
LMRW-6-400MV	MV 400W	22,000	4,000	E40	
LMRW-6-250HPS	HPS 250W	27,500	2,000	E40	
LMRW-6-400HPS	HPS 400W	50,000	2,000	E40	
LMRW-6-250MH	MH 250W	21,000	4,000-6,000	E40	
LMRW-6-400MH	MH 400W	36,000	4,000-6,000	E40	

LMRW - 6

Street Light / Area light - IP 66



LMRW-6A

LMRW-6B

LMRW-6C

Ordering Information

Lumitron Ref.	Lamp Type	Lumens	CCT. (K)	Base	Remark
LMRW-6-250MV	MV 250W	13,000	4,000	E40	Recheck lumen with lamp catalog.
LMRW-6-400MV	MV 400W	22,000	4,000	E40	
LMRW-6-250HPS	HPS 250W	27,500	2,000	E40	
LMRW-6-400HPS	HPS 400W	50,000	2,000	E40	
LMRW-6-250MH	MH 250W	21,000	4,000-6,000	E40	
LMRW-6-400MH	MH 400W	36,000	4,000-6,000	E40	