

## LMSF - 2

### 10000W Floodlight Luminaires - IP 65

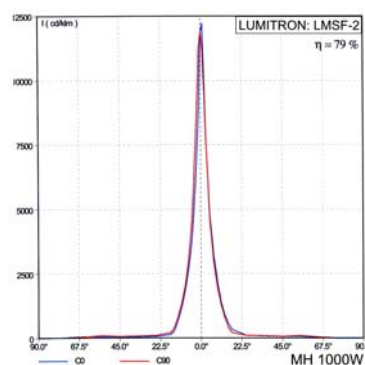
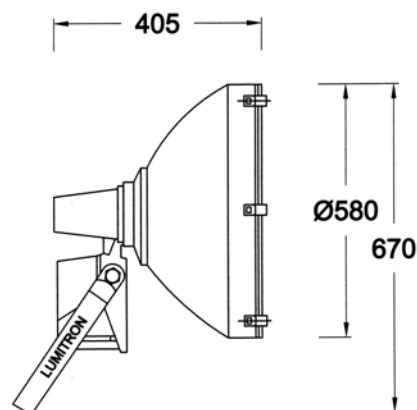
A high quality range of floodlight, can be used for sports fields for recreational or competition level. Lumitron's LMSF-2, is ideal for lighting stadiums, football fields, tennis courts, golf-driving ranges, as well as parking lots, large areas, and industrial applications. Thanks to its ability to provide five beam angles from very narrow beam, medium beam, and wide beam light distribution.

#### Specifications

- Housing: two pieces die cast aluminium housing stands to extreme environments. Hinged for easy access to ballast compartment.
- Colour: UV-stabilized polyester powder coat in Dark Bronze.
- Reflector: rugged reflector constructed of heavy gauge, precision spun, high purity anodized aluminium reflector chemically brighten.
- Wide selections of beam patterns: NEMA Type 2, 3, 4, 5, and 6. Ranging from narrow beam, medium beam, and wide beam.
- Hinged tempered safety glass lens with heavy-gauge frame. Door hinges downward for convenience.
- Control Gear Box: built-in die cast aluminium
- "Double Slant 2" heat-sinked ballast for cooler operation and longer component life.
- Lamp base stabilizer grips lamp envelope, centering and stabilizing lamp.
- Voltage: 230/240V 50Hz for 400-1500W. Weight: Max 65 lbs.
- Maximum surface area exposed to wind: EPA 2.8 ft<sup>2</sup>
- Standards and Conformities: UL 1572 Listed for wet locations, IP55 dust-proof and jet-proof. Conforming to DIN, VDE, IEC.
- Available in two versions: SFG: General Duty Version, SFH: Heavy Duty Version with protective outer aluminium shroud installed over inner reflector

#### Accessories (add suffixes to Lumitron Ref.)

- HD-SF2: Hood (Visor)
- LV-SF2: Louver Ring
- HDLV-SF2: Hood + Louver Ring



#### Ordering Information

| Lumitron Ref.    | Lamp Type    | Lumen   | CCT. (K)    | Base | Remark                           |
|------------------|--------------|---------|-------------|------|----------------------------------|
| LMSF-2-1000MV    | MV 1000W     | 58,000  | 3,550-3,900 | E40  | Recheck lumen with lamp catalog. |
| LMSF-2-1000HPS   | HPS 1000W    | 130,000 | 2,000       | E40  |                                  |
| LMSF-2-1000MH    | MH 1000W     | 80,000  | 4,000-6,000 | E40  |                                  |
| LMSF-2-1000MHCWA | MH-CWA 1000W | 110,000 | 3,700-4,000 | E40  |                                  |