

LMTL - 8

Track & Spot Light Halogen

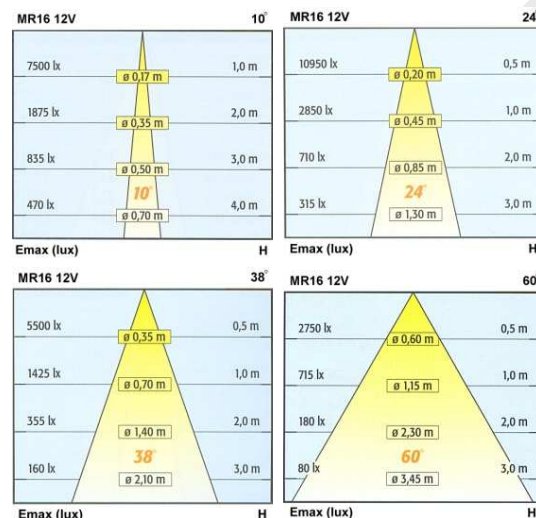
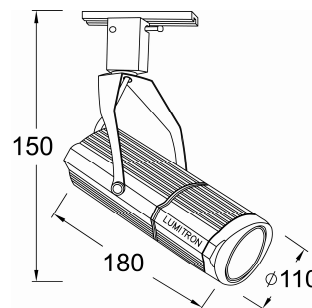


Applications

A range of versatile surface mounted spot light , Lumitron's LMTL-8, is suitable for low voltage halogen MR16, 20-50W. When use without integral transformer, it would be applicable for emergency lighting for emergency power supply. Ideal for indoor commercial lighting applications, exhibition halls, exclusive residential projects, decorative applications, shopping arcades, hotels, condominiums, and etc. Applicable for corridors, sign boards, banner lighting, and other task lighting.

Specifications

- Housing: die-cast aluminium body for superior corrosion resistance.
- Bracket: die-cast aluminium.
- Polyester powder-coating in white, black, or Silver.
- Lamp beam angle 10°, 20°, 30°, and 40°. Recheck lamp specifications.
- Suitable for 12V MR16 20W up to 50W.
- Lampholder: GX5.3, ceramic type.
- Transformer: 220V / 12V 50Hz.
- Option
- SM:Surface mounting.
- TM:Track mounting.



Lumitron Ref.	Lamp Type	Beam Angle	Base
LMTL-8-20MR16	MR16 20W	10°-40°	GX5.3
LMTL-8-35MR16	MR16 35W	10°-40°	GX5.3
LMTL-8-50MR16	MR16 50W	10°-40°	GX5.3