

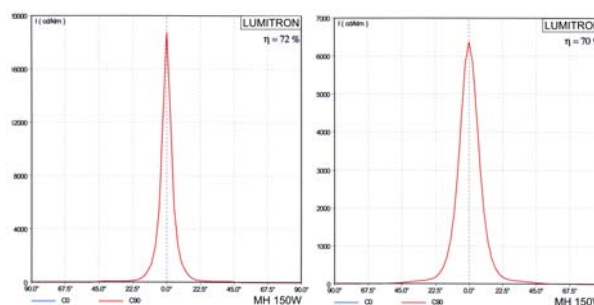
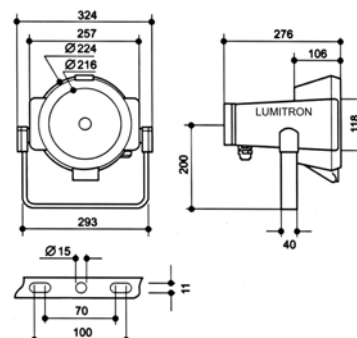
## GAMMA

### 35-150W Compact Floodlight - IP 65

A range of architectural compact floodlights, Lumitron's Gamma Series, is specifically designed to achieve medium to narrow beam light pattern. It provides elegant appearance, aesthetically suitable for prestigious projects. Ideal for high quality, professional solution for every kind of floodlighting applications such as historical and commercial building, facades, statues, billboards, and parking lots, . Thanks to its compact size of housing with trendy appearance.

#### Specifications

- Housing: corrosion resistant die cast aluminium alloy.
- Colour: UV resistant polyester powder coat, resistance to salt spray. Finish in Black RAL 9005, or silver aluminium color.
  - BK: black color     -GR: grey color
  - WH: white color
- Reflector: high purity anodized 99.85% aluminium reflector chemically brighten. Available in symmetrical light pattern, either medium beam or narrow beam.
- Lens Assembly: thermal shock resistant safety glass in aluminium frame.
- Stainless steel screws
- Durable silicone rubber gasket.
- Control Gear: built-in type, accommodates ballast, ignitor, 5kV pulse lampholder VDE approved, and P.F. correction capacitors.
- Lumitron offers only anti-cycling ignitor, super-posed versions to avoid ballast failures during ends of lamp life.
- IP65 dust-tight and jet-proof.
- Conforming to EN60598-1, DIN, VDE, IEC598-2-3-1993 Class I Electrical.
- Installation/Mounting: pole mounting or wall mounting with u-shape bracket. Equipped with cable gland PG 11.
- Accessories: (Add suffix to Lumitron's Ref.)
  - LV-GM: louver
  - HD-GM: front hood
  - CF: color filter available in red, green, blue, and yellow



Very Narrow Beam, MH 150W G12 Narrow Beam, MH 150W G12

#### Ordering Information

Lumitron Ref.	Lamp Type	Lumen	CCT. (K)	Base
GM-150HAL	HAL 150W	2,400	3,000	E27
GM-70HPS	HPS 70W	6,500	2,000	E27
GM-100WS	White Son 100W	5,000	2,550	PG12-1
GM-35CDM-T	CDM-T 35W	3,300	3,000	G12
GM-70CDM-T	CDM-T 70W	6,600	3,000-4,200	G12
GM-70MH-E	MH-E 70W	5,300	3,200-4,000	E27
GM-100MH-T	MH-T 100W	9,000	4,200	G12
GM-100MH-E	MH-E 100W	9,000	3,200-4,000	E27
GM-150CDM-T	CDM-T 150W	14,000	3,000-4,200	G12
GM-150MH-E	MH-E 150W	14,250	3,200-4,000	E27