

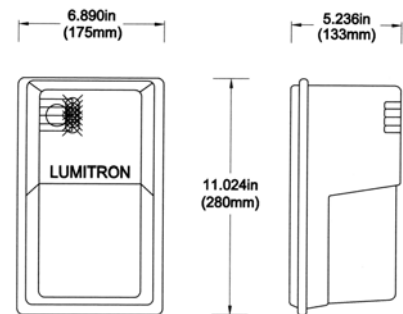
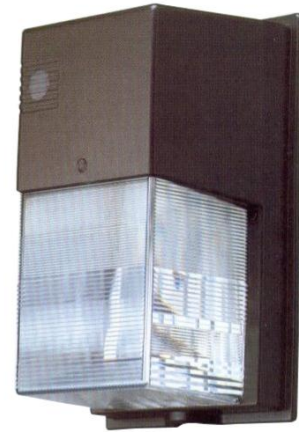
LMWL - 11

9-80W Mini Wall Pack Luminaire - IP 65

A range of functional amenity wall mounted luminaire, especially for general-purpose efficient amenity lighting applications. Lumitron's LMWL-11, is ideal for perimeter lighting, stairwells, entrance and walkways, loading platforms, shopping malls, superstores, commercial buildings, industrial plants, factories, and recreational areas.

Specifications

- Housing: die cast aluminium base, with compact one-piece polycarbonate housing and refractor.
- Reflector: anodized aluminium reflector chemically brighten.
- Diffuser: high impact, UV-stabilized polycarbonate prismatic lens for wide beam spread.
- Sealed with silicone rubber gasket.
- Lampholder: porcelain 5KV pulse rating E27, G24d for PLC lamp.
- Wiring: high temperature, and high voltage pulse cable where applicable.
- Control Gear: built-in type, accommodates ballast, ignitor, lampholder VDE approved, and P.F. correction capacitors
- Lumitron offers only anti-cycling, super-imposed ignitor (where required) to avoid ballast failures during ends of lamp life.
- IP 65 Vandal resistant, dustproof and jet-proof.
- Conforming to DIN, VDE, IEC 598-2-3-1993 Class I Electrical.



Ordering Information

Lumitron Ref.	Lamp Type	Lumen	Color Temp	Base	Remarks
LMWL-11-9PLS	PLS 9W	600	2,700-4,000K	G23	Recheck lumen with lamp catalog.
LMWL-11-13PLC	PLC 13W	900	2,700-4,000K	G24d-1	
LMWL-11-18PLC	PLC 18W	1,200	2,700-4,000K	G24d-2	
LMWL-11-2x9PLS	PLS 2x9W	2x600	2,700-4,000K	G23	
LMWL-11-2x13PLC	PLC 2x13W	2x900	2,700-4,000K	G24d-1	
LMWL-11-2x18PLC	PLC 2x18W	2x1,200	2,700-4,000K	G24d-2	
LMWL-11-80MV	MV 80W	3,800	4,000K	E27	
LMWL-11-70HPS	HPS 70W	5,600	2,000K	E27	
LMWL-11-70MH	MH 70W	5,300	3,200-4,000K	E27	