

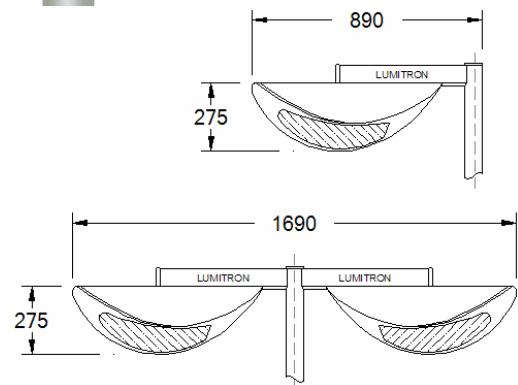
LMRW - 15

150-400W Decorative Street Light - IP 65

An extensive designed range of premium street lantern offering efficient lighting for safe and comfortable driving. Lumitron's LMRW-15, is designed to accept wide range of discharge lamps. Thanks to its unique shape and form. It provides elegant appearance, aesthetically suitable for prestigious projects. Ideal for major traffic roads, residential streets, arenas, modern architectural environments.

Specifications

- Housing: corrosion resistant, die cast aluminium alloy body.
- Finish: polyester powder coated for superior corrosion resistance in black, grey, or white. Other color available on request.
- Reflector: hydro-form anodized aluminium reflector.
- Diffuser: clear toughened glass lens.
- Optics: provide uniform light distribution pattern, excellent luminaire/pole spacing.
- Stainless steel screws and durable silicone rubber gasket.
- Lampholder: porcelain E27 or E40, 5 KV pulse rating. Provides positive retention of lamp under vibration.
- Control Gear: Lumitron fixtures are standard with P.F corrected system. Lumitron employs only super-imposed ignitor (where required) to avoid ballast failures during ends of lamp life.
- High voltage, heat-resistant cable employed where applicable.
- IP 65, dustproof and jet-proof. Class I Electrical.
- Standard and Conformities: DIN, VDE, IEC, EN-60598-2.
- Custom design decorative pole. Please contact Lumitron for more information.



Ordering Information

Lumitron Ref.	Lamp Type	Lumens	CCT. (K)	Base	Remark
LMRW-15-150HPS	HPS 150W	14,500	2,000	E40	Recheck lumen with lamp catalog.
LMRW-15-250HPS	HPS 250W	27,000	2,000	E40	
LMRW-15-400HPS	HPS 400W	48,000	2,000	E40	
LMRW-15-100MH	MH 100W	8,500	3,200-4,000	E27	
LMRW-15-150MH	MH 150W	14,250	3,200-4,000	E27	
LMRW-15-250MH	MH 250W	20,000	4,000-6,000	E40	
LMRW-15-400MH	MH 400W	36,000	4,000-6,000	E40	