

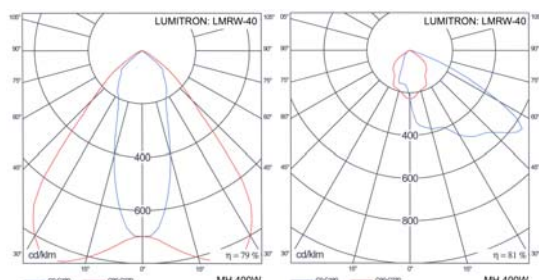
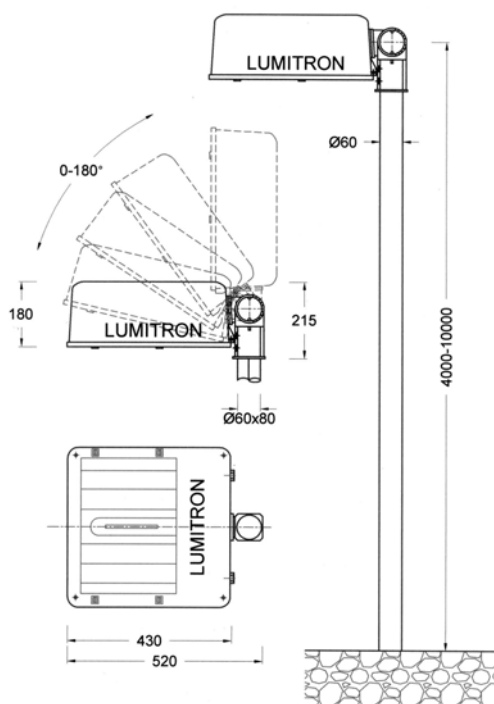
LMRW - 40

Rectangular Street Light - IP 65

The Lumitron's LMRW-40 family is designed to meet a variety of architectural requirements. Pole - mounted discharge luminaires suitable for commercial street light applications. Ideal for major traffic roads, residential streets, tennis court, industrial area, car park, arenas, modern architectural environments.

Specifications

- Housing: corrosion resistant, die cast aluminium.
- UV stabilized polyester powder coat finish in White, Black, Silver.
- Reflector: high purity anodized aluminium reflector. Providing wide symmetrical beam and wide asymmetrical beam.
- Diffuser: heat resistant, safety tempered glass lens.
- Lampholder: porcelain E40, 5 KV pulse rating.
- Sealed with silicone rubber gasket.
- Adjustable front luminaire 0-180°.
- Control Gear: Lumitron fixtures are standard with P.F corrected system. Lumitron employs only super-imposed ignitor (where required) to avoid ballast failures during ends of lamp life.
- High voltage, heat-resistant cable employed where applicable.
- Protection level IP65, dust-tight and water-jetproof. Class I Electrical.
- Standard and Conformities: DIN, VDE, IEC, EN-60598-2.



Wide Symmetric

Wide Asymmetric

Ordering Information

Lumitron Ref.	Lamp Type	Lumens	Color Temp (K)	Base	Remark
LMRW-40-250MV	MV 250W	13,000	4,000	E40	Recheck lumen with lamp catalog.
LMRW-40-400MV	MV 400W	22,000	4,000	E40	
LMRW-40-150HPS	HPS 150W	14,000	2,000	E40	
LMRW-40-250HPS	HPS 250W	27,000	2,000	E40	
LMRW-40-400HPS	HPS 400W	48,000	2,000	E40	
LMRW-40-200PSMH	PSMH 200W	21,000	3,700-4,000	E40	
LMRW-40-250MH	MH 250W	20,000	3,700-5,200	E40	
LMRW-40-250SMH	Super MH 250W	26,300	3,700-4,000	E40	
LMRW-40-400MH	MH 400W	36,000	3,700-5,200	E40	
LMRW-40-400SMH	Super MH 400W	44,000	3,700-4,000	E40	