

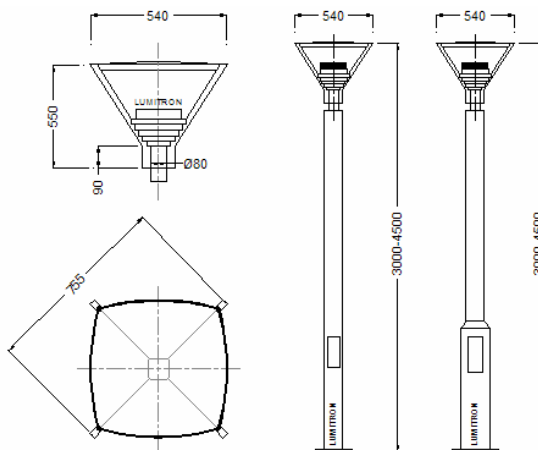
LMPT - 10

Architectural Post Light - IP 55

A premium grade of high quality architectural post light, Lumitron's LMPT-10 luminaire, is ideal for landscape applications such as, gardens, parks, hotels, residential areas, precincts, walkways, and other amenity areas. Designed to achieve superior lighting functionality whilst providing attractive styling and desirable theme. Recommended mounting height of 3000-4500 mm.

Specifications

- Housing: corrosion resistant die cast aluminium alloy.
- UV stabilized polyester powder coat finish in White, Black, Silver.
- Reflector: anodized aluminium with choices:
 - RB: reflector bowl, indirect light.
 - LV: louver, direct light + indirect light.
- Diffuser: UV-Stabilized clear polycarbonate lens.
- Stainless steel screws and silicone rubber gasket.
- Control Gear: built-in type, accommodates ballast, ignitor, lampholders VDE approved, and P.F. correction capacitors.
- Lumitron offers only anti-cycling ignitor, super-posed versions to avoid ballast failures during ends of lamp life.
- Protection level IP55 dust-proof and jet-proof.
- Conforming to DIN, VDE, IEC Class I Electrical.
- Choices of pole:
 - AP: Extruded aluminium pole.
 - SP: Galvanized steel pole.



Ordering Information

Lumitron Ref.	Lamp Type	Lumen	Color Temp.	Base	Remarks
LMPT-10-70HPS	HPS 70W	5,600	2,000K	E27	Recheck lumen with lamp catalog.
LMPT-10-150HPS	HPS 150W	14,000	2,000K	E40	
LMPT-10-MH 70W	MH 70W	5,300	3,200-4,000K	E27	
LMPT-10-150MH	MH 150W	14,250	3,200-4,000K	E27	
LMPT-10-70MH-DE	MH-DE 70W	5,500	3,000-5,200K	RX7s	
LMPT-10-150MH-DE	MH-DE 150W	11,250	3,000-5,200K	RX7s	
LMPT-10-250MH-DE	MH-DE 250W	20,000	3,000-5,200K	FC2	