

# graphite



## >graphite 300

AD3552	GRAPHITE 300	OUTDOOR USE
AD3553	GRAPHITE 300 WHITE LIGHT	OUTDOOR USE
AD3555	GRAPHITE 300 MONOCHROME	OUTDOOR USE



GRAPHITE 300 is a weatherproofed 250W colour changer which has been designed for permanent exterior installation. The newly conceived outline provides for an extremely compact and solid housing that blends discretely with any architectural environment. The standard optic group featured produces an electronically adjustable beam between 11° and 28°. In addition, the range of optical combinations gives the ability to narrow the beam aperture down to 10° or increase it up to a wide angle output of 45°. Optional beam shapers are also available for creative concepts. The subtractive colour changing system that features variable transmission CYM dichroic filters can create a virtually endless variety of colour hues and has been designed for excellent performance on smooth mixing between colour changes. The special effects configuration includes an electronic zoom, a mechanical shutter for instant black out, dimming and strobing facilities for dynamic lighting creations, remote lamp ON/OFF function and digital control of all tasks, including stand alone options and permanent colour selection, with a maximum of six channels of DMX signal.



# >graphite 300

## ACCESSORIES



**AD3556**  
NARROW OUTPUT FILTER



**AD3658**  
MEDIUM ANGLE OUTPUT FILTER



**AD3660**  
WIDE OUTPUT FILTER



**AD3662**  
BEAM SHAPER



**AD4110**  
IP65 UNIVERSAL DMX CONTROLLER



**AD4118**  
POWER CDI COMMANDER



**AD4119**  
POWER CDI COMMANDER PLUS



**AD4120**  
RADIO SIGNAL RECEIVER



**AD4122**  
RADIO SIGNAL TRANSMITTER



**AD4124**  
RADIO SIGNAL REPEATER



**AD3654**  
BARNDOOR



**AD3666**  
SAFETY HOOK



**LP0205**  
MSD 250W LAMP

## TECHNICAL SPECIFICATIONS

### LAMP

MSD 250 W, 18.000 lm, 6.700 K, average rated life 3.000 hours  
GY 9.5 base (ordering code LP0205)

### OPTICAL GROUP

Ø 127 mm ellipsoidal dichroic reflector coupled with an optical configuration that produces a beam angle combination which is electronically adjustable between 11° and 28°

Optional filters are available for alternative beam adjustments:

10°-15° narrow output filter (ordering code AD3556)

33° medium angle output filter (ordering code AD3658)

45° wide output filter (ordering code AD3660)

15°x38° beam shaper for use only with optional accessory AD3556 (ordering code AD3662)

### COLOUR CHANGER SYSTEM

Variable transmission hatched dichroic filters for a CYM colour changer system that is operated by high precision stepping motors

The subtractive colour mixing system produces a linear 0 - 100% virtually unlimited colour creation

GRAPHITE 300 MONOCHROME and GRAPHITE 300 WHITE LIGHT are also available upon request

### DYNAMIC EFFECTS

Electronic zoom

Variable speed instant black out effect

Linear mechanical dimmer function

8 FpS mechanical strobe system

Remote lamp on/off function

Remote lamp on/off function

Remote lamp on/off function

Remote lamp on/off function

Remote lamp on/off function

Remote lamp on/off function

Remote lamp on/off function

Remote lamp on/off function

Remote lamp on/off function

Remote lamp on/off function

Remote lamp on/off function

Remote lamp on/off function

Remote lamp on/off function

Remote lamp on/off function

Remote lamp on/off function

Remote lamp on/off function

Remote lamp on/off function

Remote lamp on/off function

Remote lamp on/off function

Remote lamp on/off function

Remote lamp on/off function

Remote lamp on/off function

Remote lamp on/off function

Remote lamp on/off function

Remote lamp on/off function

Remote lamp on/off function

Remote lamp on/off function

Remote lamp on/off function

Remote lamp on/off function

Remote lamp on/off function

Remote lamp on/off function

Remote lamp on/off function

Remote lamp on/off function

Remote lamp on/off function

Remote lamp on/off function

Remote lamp on/off function

Remote lamp on/off function

Remote lamp on/off function

Remote lamp on/off function

Remote lamp on/off function

Remote lamp on/off function

Remote lamp on/off function

Remote lamp on/off function

Remote lamp on/off function

Remote lamp on/off function

Remote lamp on/off function

Remote lamp on/off function

Remote lamp on/off function

Remote lamp on/off function

Remote lamp on/off function

Remote lamp on/off function

Remote lamp on/off function

Remote lamp on/off function

Remote lamp on/off function

Remote lamp on/off function

Remote lamp on/off function

Remote lamp on/off function

Remote lamp on/off function

Remote lamp on/off function

Remote lamp on/off function

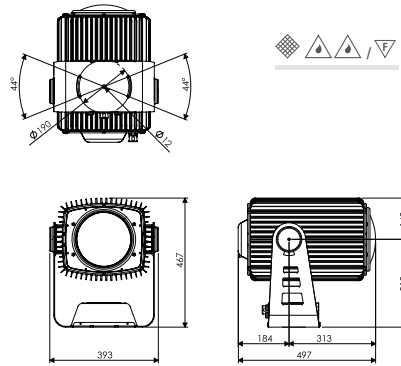
Remote lamp on/off function

Remote lamp on/off function

Remote lamp on/off function

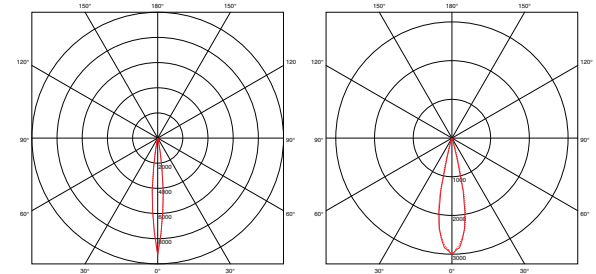
Remote lamp on/off function

Remote lamp on/off function



## PHOTOMETRIC DIAGRAMS

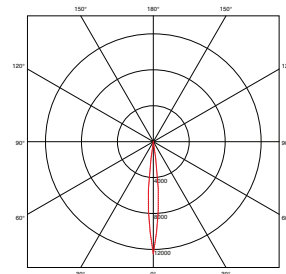
**AD3552 standard 11°**  
Total Flux 18000 lm  
Maximum 9267 cd/kl



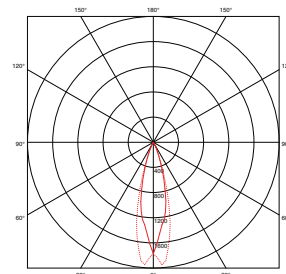
**AD3552 standard 28°**  
Total Flux 18000 lm  
Maximum 3012 cd/kl



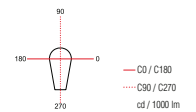
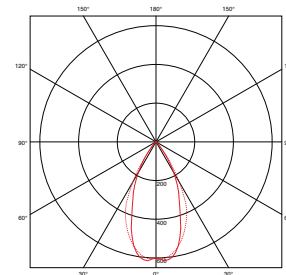
**AD3552 + AD3556 10°**  
Total Flux 18000 lm  
Maximum 12494 cd/kl



**AD3552 + AD3658 33°**  
Total Flux 18000 lm  
Maximum 1772 cd/kl



**AD3552 + AD3660 45°**  
Total Flux 18000 lm  
Maximum 616 cd/kl



Note: above mentioned technical specifications refer only to the CYM version